

FIȘA TEHNICĂ  
SCHEMA DATI  
ТЕХНИЧЕСКАЯ СПЕЦИФИКАЦИЯ  
ADATLAP  
ЛИСТ С ДАННИ  
DÁTOVÝ HÁROK

## RITMO

Art. 01-3773

EN - Indoor ceiling lamp, equipped with SMD LEDs, with the possibility of selecting the color temperature of the light, metal and aluminum structure painted in sand black, opal white silicone diffusers.

RO - Plafonieră pentru interior, echipată cu LED-uri SMD, cu posibilitate de selectare a temperaturii de culoare a luminii, structură din metal și aluminiu vopsit negru mat, dispersoare din silicon alb opal.

IT - Plafoniera per interni, dotata di LED SMD, con possibilità di selezionare la temperatura di colore della luce, struttura in metallo e alluminio verniciato nero opaco, diffusori in silicone bianco opale.

RU - -

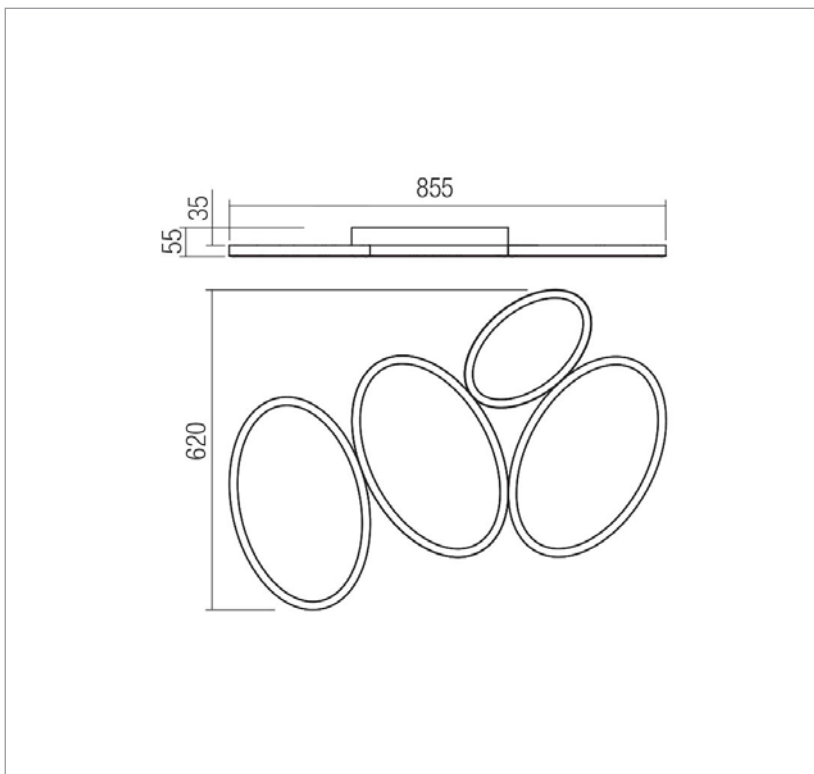
HU - -

BG - -

SK - -



Product type	<b>Ceiling lamp</b>
Input voltage	<b>220-240V, 50/60Hz</b>
Power	<b>60W</b>
Led type	<b>420 pcs x 0,14W, 3000K + 420pcs x 0,14W, 4000K, 2835 SMD LED</b>
Color temperature	<b>CCT by back switch 3000K - 4000K</b>
Led luminous flux	<b>6818 lm</b>
System luminous flux	<b>2825 lm</b>
CRI	<b>80</b>
OPTICS	<b>-</b>
Dimmable	<b>No</b>
Øuse (lm)	<b>6818</b>
Pon (w)	<b>60</b>
FTM	<b>0.926</b>
ηTM	<b>105.22</b>
Energy efficiency class	<b>F</b>
Warranty (years)	<b>3</b>
Protection class	<b>Class I</b>
IP rating	<b>IP20</b>



LED removal by a specialist **YES**  
Driver removal by a specialist **YES**

Standards: EN 60598-1:2015 + A1:2018, EN 60598-2-1:2020, EN 60598-2-2:2012, EN 62493:2015, EN 62471:2008, EN 62031:2008 + A1:2013 + A2:2015, EN 60529:1992 + A2:2013, EN 55015:2019 + A11:2020, EN 61000-3-2:2019, EN 61000-3-3:2013 + A1:2019, EN 61547:2009.  
Made in PRC.